

# SPT-1 Series Vertical Pop Up Socket

## User Manual

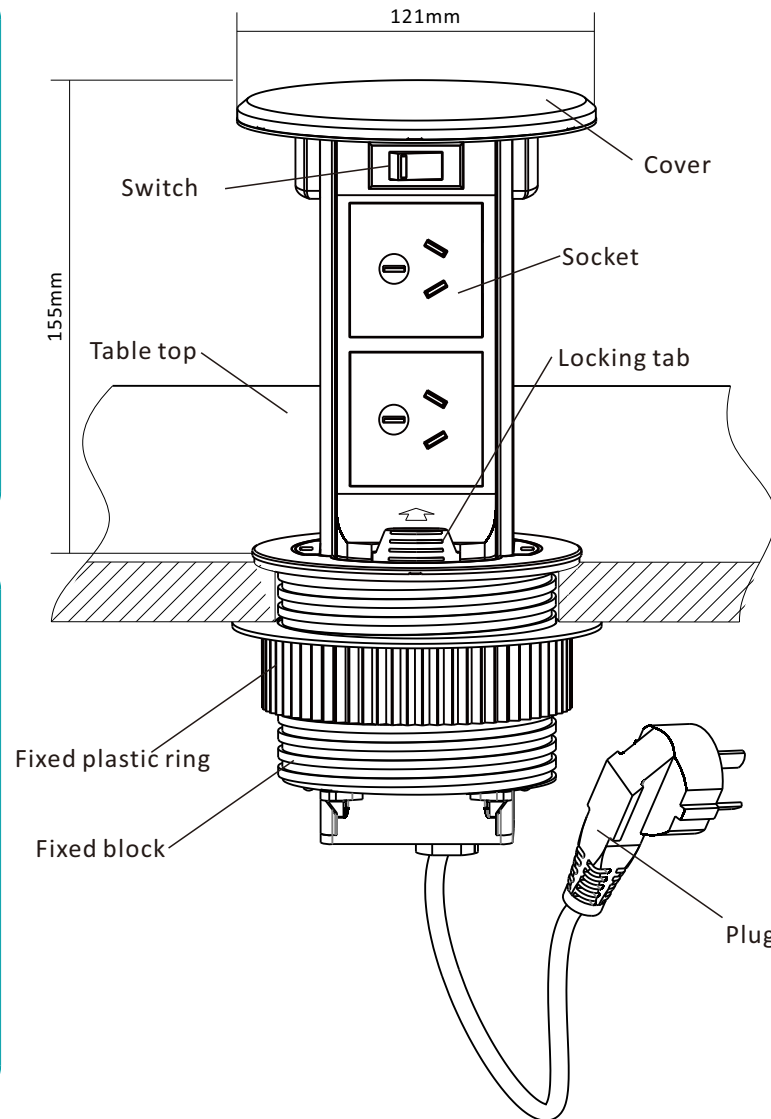
Please read this manual carefully before installation!

### Features and Applications

1. Desktop sockets are widely used in modern buildings, office buildings, exhibition halls, airports, banks, postal and telecom munications, laboratory buildings, schools, hotels, hospitals, computer rooms, home decora-tion, and other places for access to power or weak electricity (such as: Telephones, compyters, microphones, etc.) used to transmit signals;
2. When the product is not in use, the socket body can be com-pletely hid under desktop and keep clean;
3. The product' s sealed structure can ensure that water droplets, beverages and other liquids do not penetrate easily.

### Use and Maintenance

1. When using a desktop socket, press down the cover with the palm of your hand, and when the cover pops up, pull the socket body upwards until the locking tab fixed.
2. When not in use, pushing the locking tab in (the direction of the arrow), to allow the socket body to fall slowly till close to table top. then press the cover with the palm of your hand to lock the socket body fully.
3. Avoid the acidic and alkaline solvent washing. avoid scratching or bruising the surface of the transparent protective paint covered, to ensure the product's own corrosion resistance.



### Safty Warning

1. Make sure ground system is reliable when using.
2. Do not overload, otherwise it may cause fire.
3. Avoid using wet hands to plug sockets.
4. Please insert the power plug into the sockets fully when using, to avoid the risk of electric leakage and electric shock.

### Installation Method

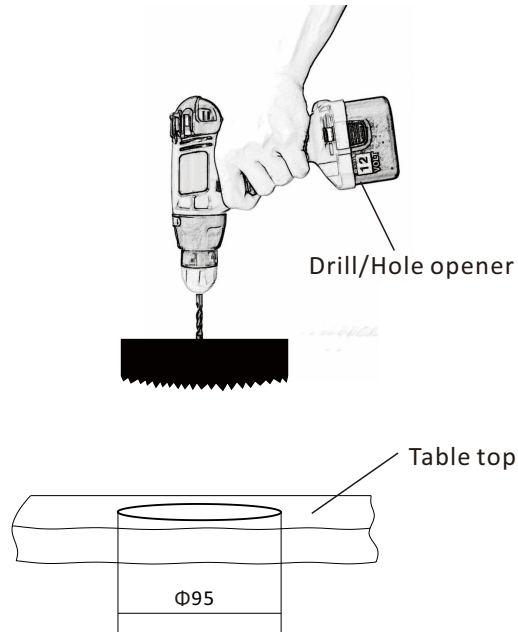
1. Open the hole with a drill on the table top.
2. Remove the fixed plastic ring by rotating it counter-clockwise direction.
3. Put the product into the hole and adjust the direction of the function sockets.
4. From the bottom of the table, insert the plug through the fixed plastic ring, and tighten the plastic ring by clockwise until the socket is fixed.

(Installation details see the back)

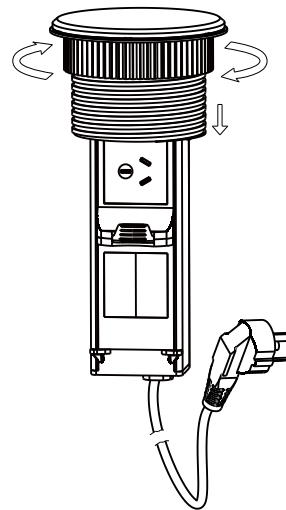
# SPT-1 Series Vertical Pop Up Socket

## User Manual

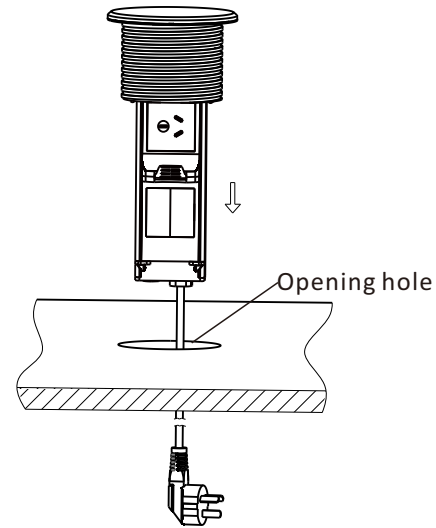
### Product installation details



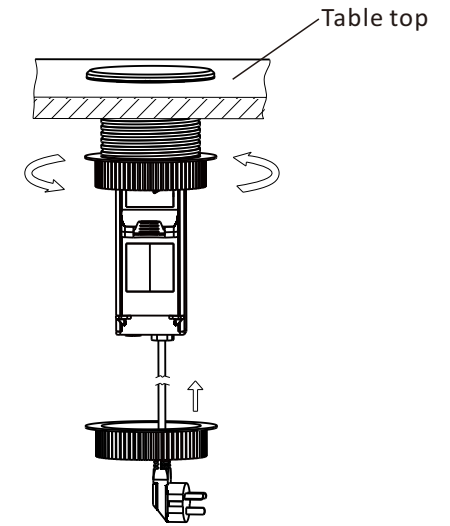
(Pic 1)



(Pic 2)



(Pic 3)



(Pic 4)

1. Use a drill to open a hole with a  $\Phi 95$  opening on the desktop.(see pic 1)

2. Remove the fixed plastic ring as per the direction of the arrow-by counterclockwise (see pic 2).

3. Place the product into the hole and adjust the direction of the function sockets.(see pic 3)

4. Tighten the fixed plastic ring as per the direction of the arrow-by clockwise.(see pic 4)