

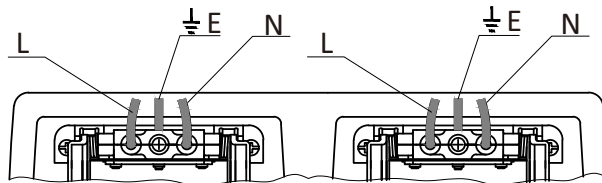
Attention in Installation: Important read this instruction sheet before installing

Important Safety Notice

- Never use in overload situation, or it may increase the risk of catching a fire.
- Make sure that all bare conductor deeply into the connection terminal. when linking the wire (see diagram), or it will increase the risk of catching a fire.
- Once the wiring connections are made wrap the connections with national electrical tape. Failure to do so will increase the risk of causing a fire.

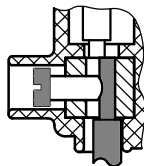
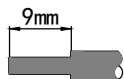
Installation Method

● Wiring diagram

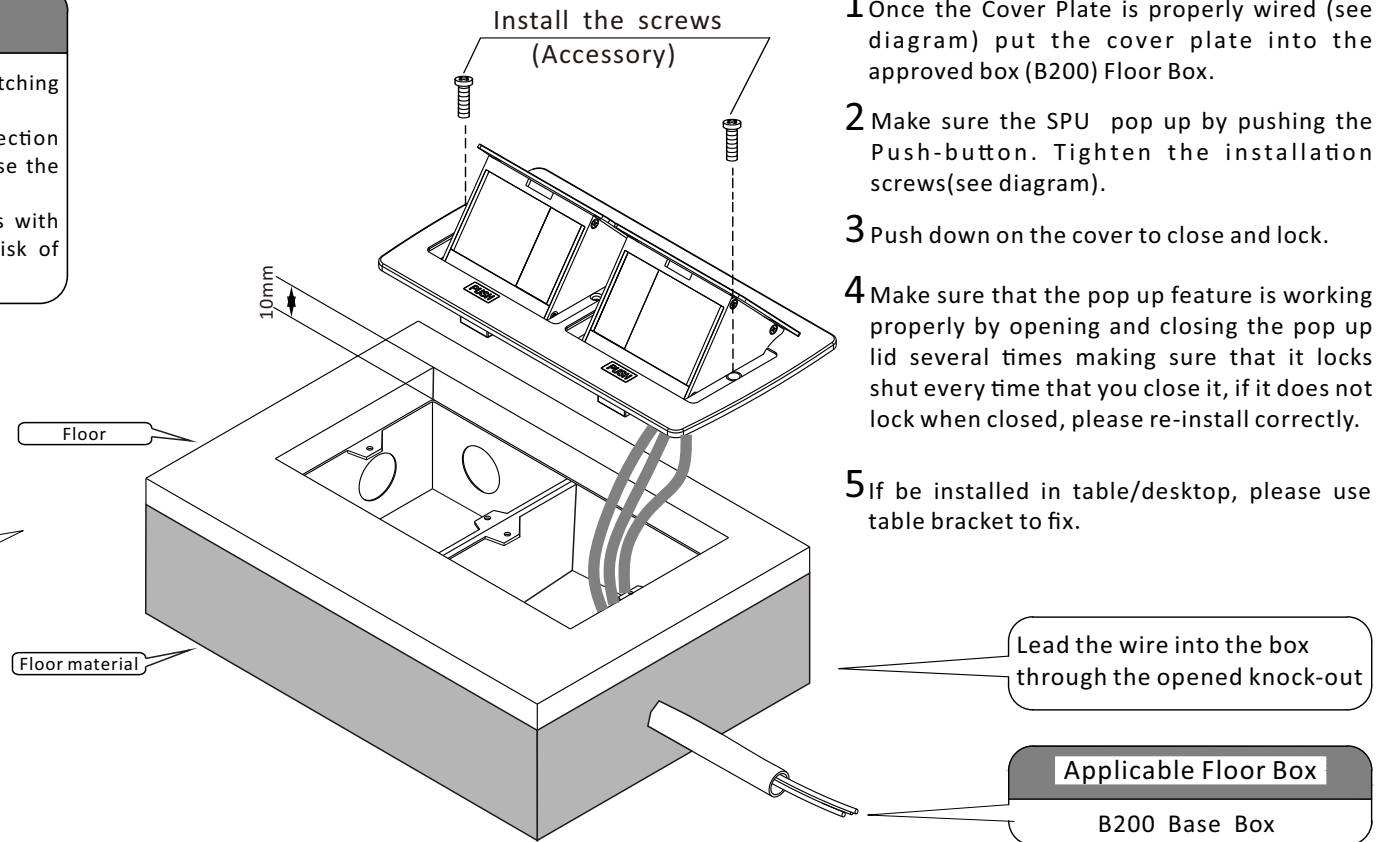


● Wiring method

- ① Length of bare conductor
- ② Insert deeply then revolve the screws



✘ When in using, not necessary to earthing



- 1 Once the Cover Plate is properly wired (see diagram) put the cover plate into the approved box (B200) Floor Box.
- 2 Make sure the SPU pop up by pushing the Push-button. Tighten the installation screws (see diagram).
- 3 Push down on the cover to close and lock.
- 4 Make sure that the pop up feature is working properly by opening and closing the pop up lid several times making sure that it locks shut every time that you close it, if it does not lock when closed, please re-install correctly.
- 5 If be installed in table/desktop, please use table bracket to fix.

Tip:

- 1) During the installation, make sure that the base box pre-embedded at least 10mm lower than the final floor material, so that there is enough space in the box when the cover plate close.
- 2) For pop up floor box, suggest that use it every two weeks, this will extend the mechanical life of the product.