

**SFP-2 Series Flip-up box**



**International socket options**



**Top Cover** Aluminum alloy, Brass alloy

**Modules** F, P series modules

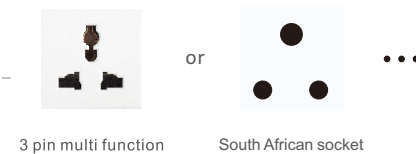


**Module capacity**

Detailed modules option please refer to type F, P series modules



Max. 6 Modules



1 module size=22.5×45mm

**SFP-2 Series Flip-up box**



**CE, TUV, SASO approval**

Model	Color	Module capacity	Cutout mm
SFP-2LA	Silver	6	76x80mm
SFP-2LC	Silver	6	76x80mm

Aluminum alloy

Aluminum alloy top cover and adaptor for fixing the type 45 modules.  
**Application:** Concrete floor

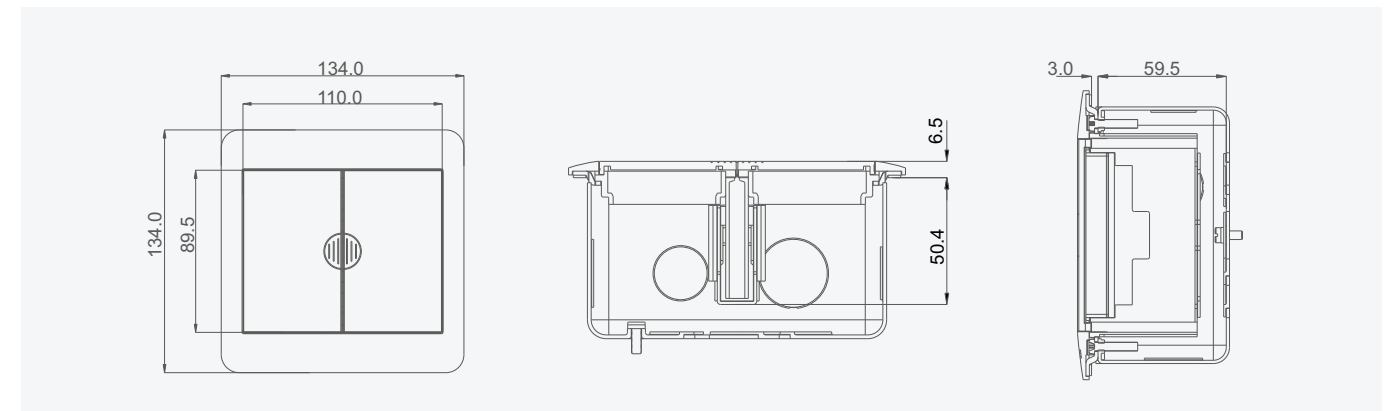


**CE, TUV, SASO approval**

Model	Color	Module capacity	Cutout mm
SFP-2BA	Golden	6	76x80mm
SFP-2BC	Golden	6	76x80mm

Brass alloy

Brass alloy top cover and adaptor for fixing the type 45 modules.  
**Application:** Concrete floor



- The super thin cover panel is made from the finest quality zinc alloy which delivers impressive results in terms of reliability and robustness.
- Produced with gently curved edges, this discreet and economical range of power outlet can be flush fitted into any raised or concrete floor structure causing no protrusion when not in use.
- The lid securing system provides the extent to endure from any pressure to protect the cable when connected.
- The scratch-resistant cover panel in closed position features an IP65 rated protective coverage from total dust ingress & high-pressure water jets from any direction making it perfect for outdoor commercial applications.